

## Patio Awning Mounting Height Chart

C= Measurement from top of mounting space to deck	Projection				
	5'9"	6'11"	8'6"	10'2"	11'8"
	E= Measurement from the bottom of the valance to deck				
7'6" (90")	72"	72"	72"	70"	69"
8'	78"	78"	78"	76"	75"
8'6"	84"	84"	84"	82"	81"
9'	90"	90"	90"	88"	87"
9'6"	96"	96"	96"	94"	93"
10'	102"	102"	102"	100"	99"

The chart above denotes the approximate clearance with the pitch set in the factory set position

4' Crank handle included with all wall mounts

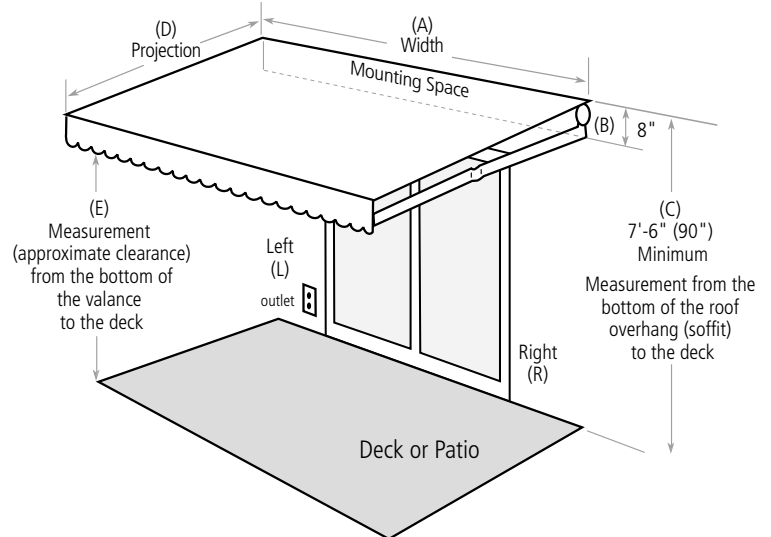
6' Crank handle included with all roof mounts

### Measuring & Ordering Guidelines

Determine width of awning (A). This requires a clear span with no obstructions. Be sure light fixtures, down spouts, etc. are not in the way. The awning will require 8" of mounting space (B). A minimum of 7'-6" (90") is required from the deck or patio to the top of the mounting space (C). See chart for more detail.

Select the projection that best fits your needs (D). Awnings are available in over 50 beautiful fabric colors and patterns. Choose the one that best compliments your home. Fasteners for mounting on wood included.

*\*Operation: Facing the house specify the side you want the standard crank handle or motor. Outlet required for motor. If no selection is made awning will ship with right hand operation.*



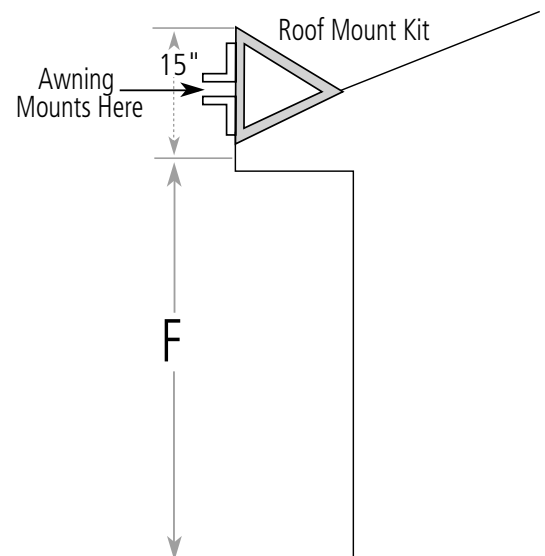
### ROOF MOUNT KIT SHOULD BE USED WHEN:

- 1) There is insufficient space to mount the awning (8") or when wall obstructions (ie. downspouts or light fixtures) are in the way.
- 2) More height is desired between the bottom of the awning valance and the deck or patio (E)

To determine the mounting height when a roof mount kit is used: Measure the distance from your deck or patio to the roof line edge or the top of the fascia (F) and add 15". This height will now become the (C) measurement.

Awning cannot be mounted to the fascia.

(see diagram to the right)





Questions? Call toll-free:  
**1-800-901-3313**  
 8AM to 5PM Eastern Mon-Fri

### 6000XL Series Order Form

Quantity	Width	Projection	Manual or Motorized	Vinyl Number	Vinyl Color	Frame Color	Left or Right Operation
		10'				White	
		10'				White	
		10'				White	
<b>Options</b>	<input type="checkbox"/> <b>Weatherguard Cover</b> Protects fabric when the awning is retracted from rain, snow and sun. Suggested, not required on motorized units or roof kit installations.			<input type="checkbox"/> <b>Roof Mount Kit</b> Provides all necessary brackets for roof mount installation when wall space requirements cannot be met. Weatherguard Cover suggested, not required when using Roof Mount Kit.			

### 7000 or 8000 Series Order Form

Series	Quantity	Width	Projection	Manual or Motorized	Sunbrella Fabric Number	Sunbrella Fabric Name	Frame Color	Left or Right Operation
<b>Options</b>	<input type="checkbox"/> <b>Weatherguard Cover</b> Protects fabric when the awning is retracted from rain, snow and sun. Suggested, not required on motorized units or roof kit installations.							
	<input type="checkbox"/> <b>Roof Mount Kit</b> Provides all necessary brackets for roof mount installation when wall space requirements cannot be met. Weatherguard Cover suggested, not required when using Roof Mount Kit.							

**IMPORTANT SAFETY & USAGE NOTICE:** Retractable awnings are designed for solar protection only. They are **NOT** designed for use in rain, snow, ice or wind conditions. These awnings are also **NOT** designed for commercial applications.

*Retractable Awnings are not returnable. Verify all information before ordering.*

## Patio Awning Mounting Height Chart

C= Measurement from top of mounting space to deck	Projection				
	5'9"	6'11"	8'6"	10'2"	11'8"
	E= Measurement from the bottom of the valance to deck				
7'6" (90")	72"	72"	72"	70"	69"
8'	78"	78"	78"	76"	75"
8'6"	84"	84"	84"	82"	81"
9'	90"	90"	90"	88"	87"
9'6"	96"	96"	96"	94"	93"
10'	102"	102"	102"	100"	99"

The chart above denotes the approximate clearance with the pitch set in the factory set position

4' Crank handle included with all wall mounts

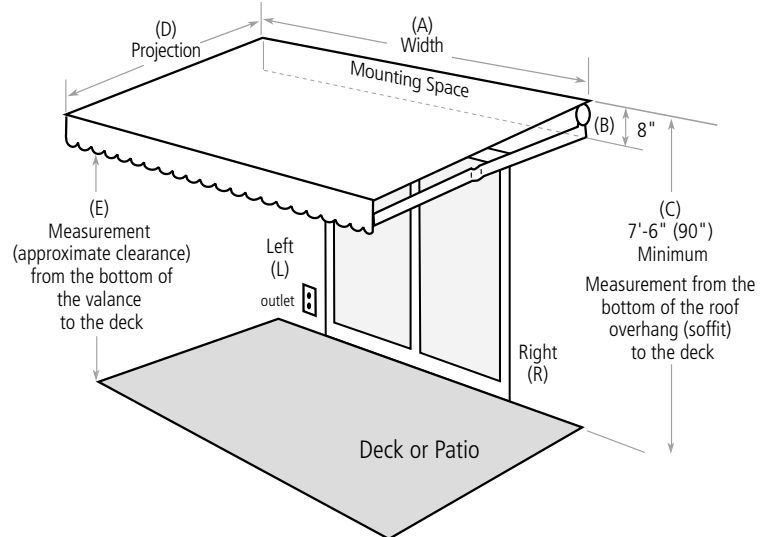
6' Crank handle included with all roof mounts

### Measuring & Ordering Guidelines

Determine width of awning (A). This requires a clear span with no obstructions. Be sure light fixtures, down spouts, etc. are not in the way. The awning will require 8" of mounting space (B). A minimum of 7'-6" (90") is required from the deck or patio to the top of the mounting space (C). See chart for more detail.

Select the projection that best fits your needs (D). Awnings are available in over 50 beautiful fabric colors and patterns. Choose the one that best compliments your home. Fasteners for mounting on wood included.

*\*Operation. Facing the house specify the side you want the standard crank handle or motor. Outlet required for motor. If no selection is made awning will ship with right hand operation.*



### ROOF MOUNT KIT SHOULD BE USED WHEN:

- 1) There is insufficient space to mount the awning (8") or when wall obstructions (ie. downspouts or light fixtures) are in the way.
- 2) More height is desired between the bottom of the awning valance and the deck or patio (E)

To determine the mounting height when a roof mount kit is used: Measure the distance from your deck or patio to the roof line edge or the top of the fascia (F) and add 15". This height will now become the (C) measurement.

Awning cannot be mounted to the fascia.

(see diagram to the right)

